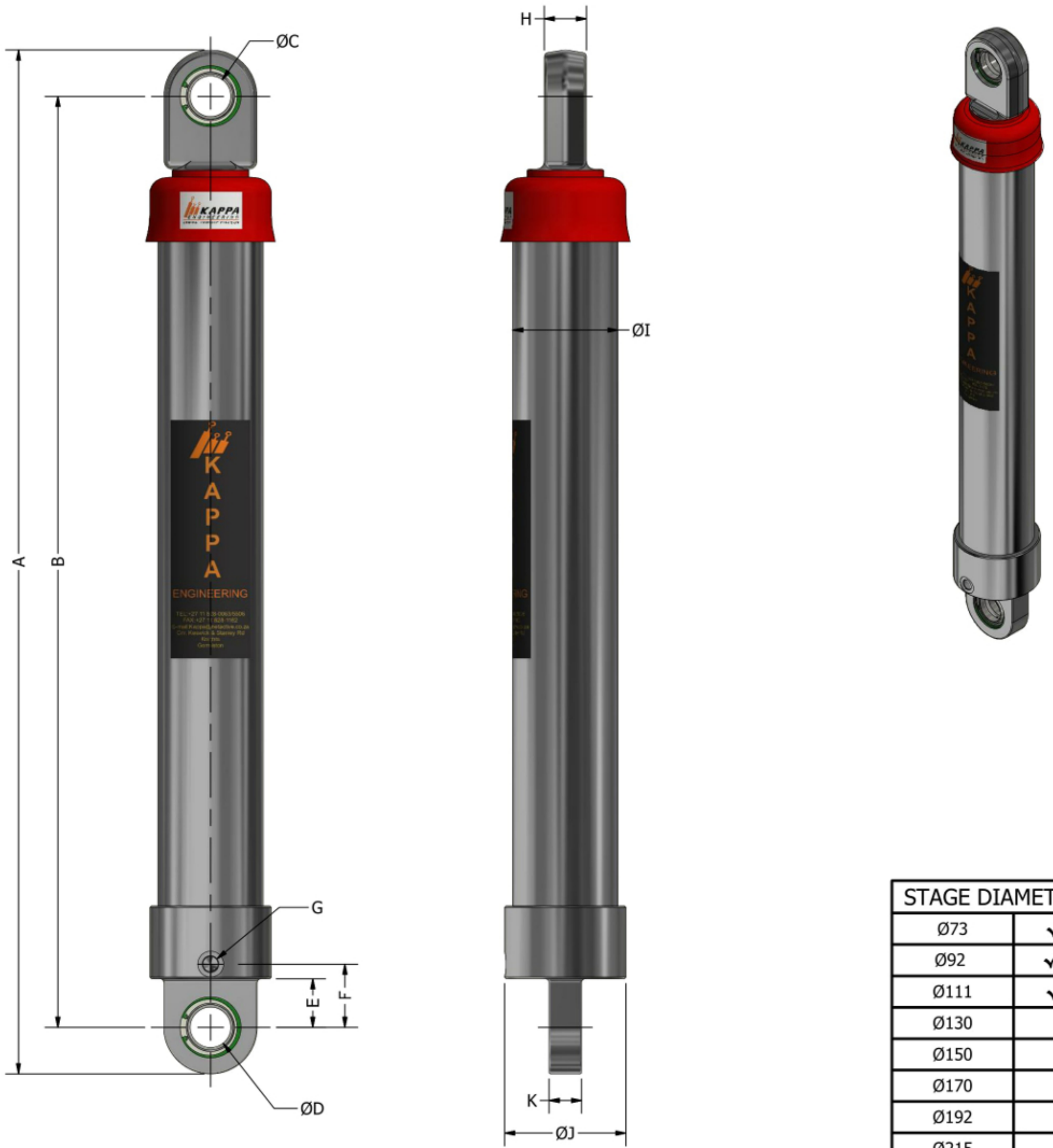


CODE	TYPE	STROKE	OIL CAPACITY	MAX WORKING PRESSURE	MAX PUMP FLOW	WEIGHT	TIPPING WEIGHT
KAP 100 01 01	KAP-TF-EE 111/3/3330	3330	25 L	190 bar	85 L/min	106 kg	20 -44 Tons



STAGE DIAMETER	
Ø73	✓
Ø92	✓
Ø111	✓
Ø130	
Ø150	
Ø170	
Ø192	
Ø215	

### CYLINDER BASIC DIMENSIONS

A	B	C	D	E	F	G	H	I	J	K
1666	1549	50.8	50	60	78	1/2"	52	130	150	40