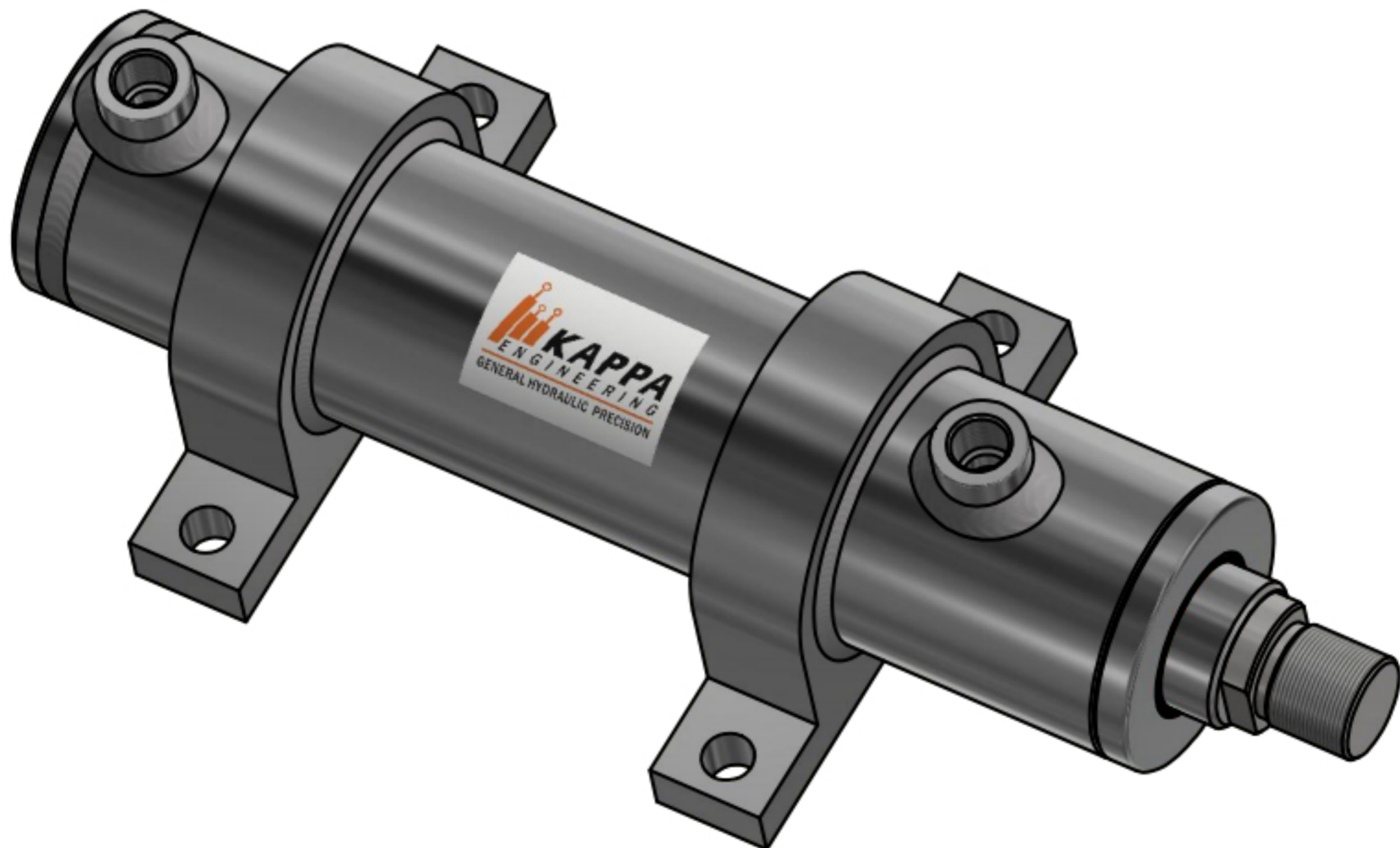
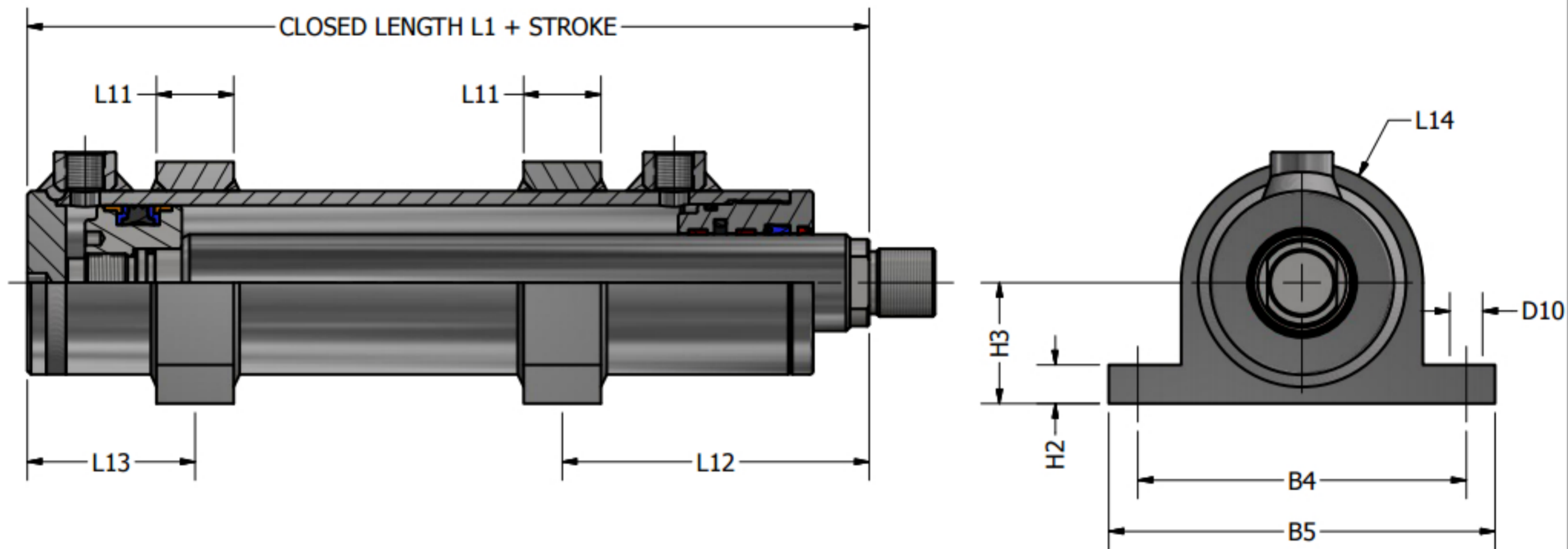


# FOOT MOUNTED HYDRAULIC CYLINDER BASIC DIMENSIONS

	B4	B5	D10	H2	H3	L1	L11	L12	L13	L14
40/20   40/25	110	140	Ø 13	12	35	116	25	90	60	33
50/25   50/32	115	145	Ø 13	15	40	123	25	98	60	38
63/32   63/40	135	165	Ø 13	15	50	140	30	105	70	45
80/40   80/50	150	185	Ø 17	20	55	156	40	126	80	55
100/50   100/65	190	225	Ø 17	20	70	173	50	140	90	68
125/65   125/80	235	275	Ø 21	25	85	199	60	155	110	85
160/80   160/100	280	320	Ø 21	25	110	249	70	195	130	108
200/100   200/125	340	385	Ø 25	35	140	277	80	205	160	135



PLEASE NOTE: ALL O.E.M NAMES OR NUMBERS ARE USED FOR REFERANCE ONLY