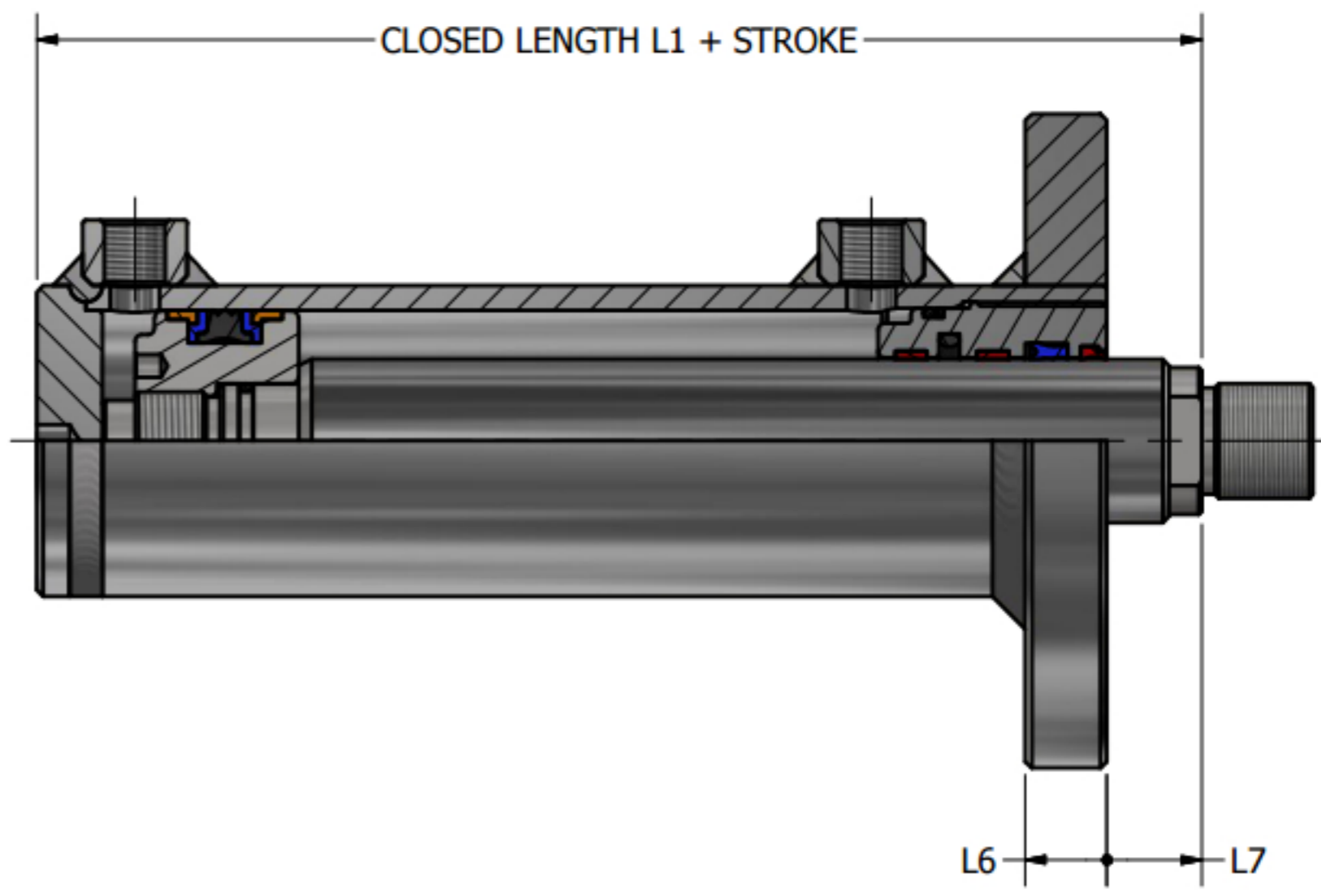
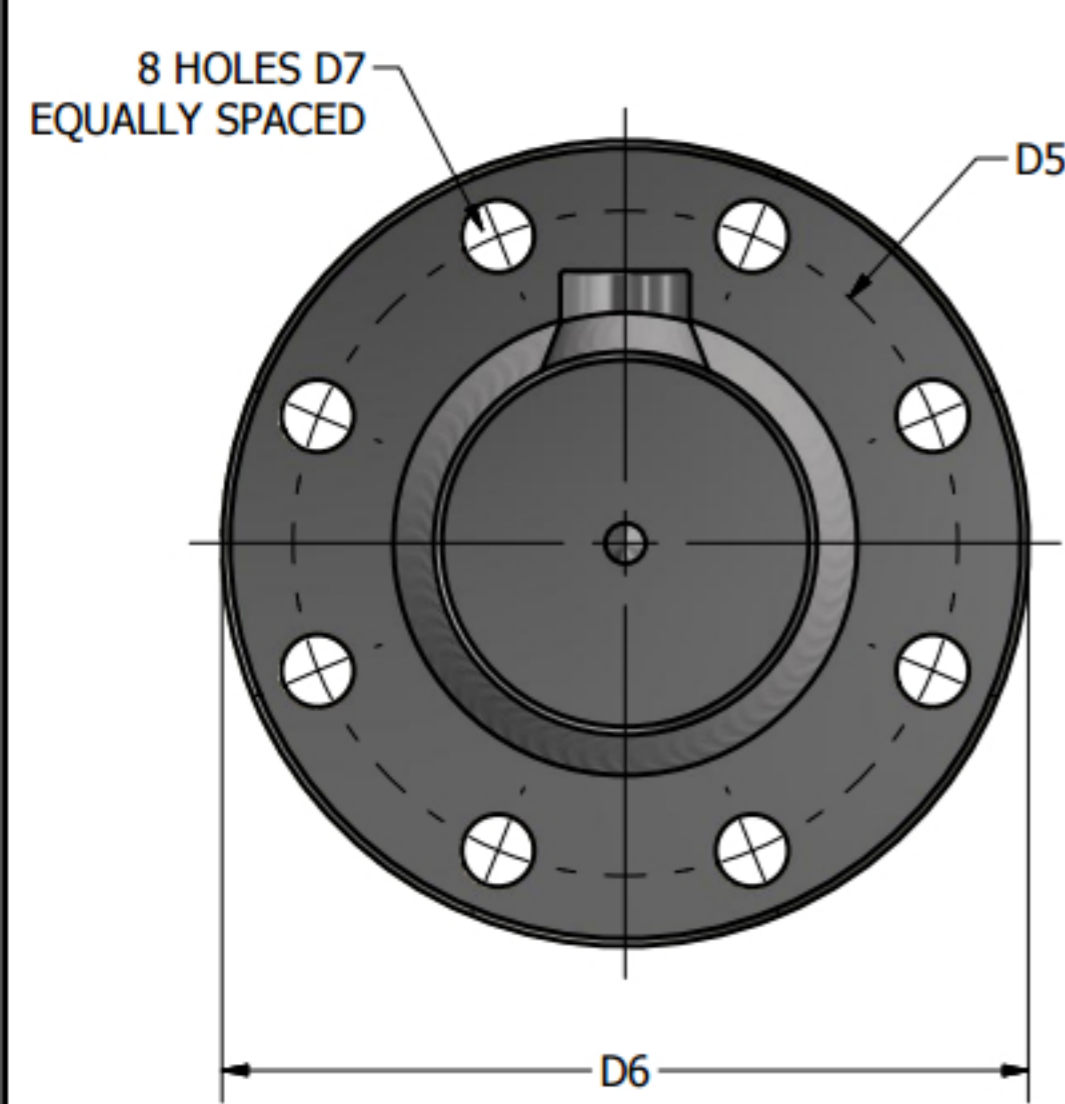


# FRONT FLANGED HYDRAULIC CYLINDER BASIC DIMENSIONS

	D5	D6	D7	L1	L6	L7
40/20   40/25	Ø 120	Ø 140	Ø 11	116	21	18
50/25   50/32	Ø 125	Ø 145	Ø 11	123	21	18
63/32   63/40	Ø 145	Ø 170	Ø 14	140	25	20
80/40   80/50	Ø 165	Ø 200	Ø 18	156	26	24
100/50   100/65	Ø 200	Ø 240	Ø 22	173	29	28
125/65   125/80	Ø 235	Ø 270	Ø 22	199	32	34
160/80   160/100	Ø 280	Ø 320	Ø 22	249	39	38
200/100   200/125	Ø 340	Ø 385	Ø 26	277	48	42



PLEASE NOTE: ALL O.E.M NAMES OR NUMBERS ARE USED FOR REFERANCE ONLY