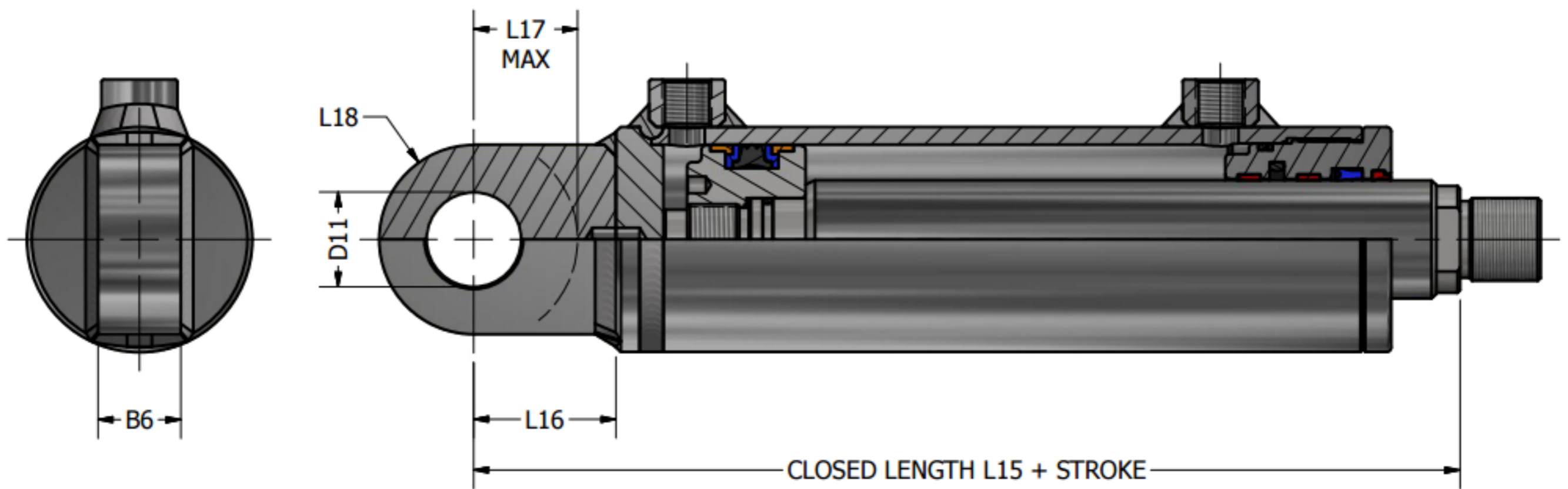


MALE CLEVIS MOUNTED CYLINDER BASIC DIMENSIONS

	B6	D11	L15	L16	L18	L17
40/20 40/25	20	Ø 20	156	37	25	30
50/25 50/32	25	Ø 25	163	42	30	32
63/32 63/40	32	Ø 30	185	50	37.5	37
80/40 80/50	40	Ø 40	216	61	45	50
100/50 100/65	50	Ø 50	243	72	50	60
125/65 125/80	60	Ø 60	279	90	65	65
160/80 160/100	70	Ø 70	339	110	70	75
200/100 200/125	80	Ø 80	377	133	80	85



PLEASE NOTE: ALL O.E.M NAMES OR NUMBERS ARE USED FOR REFERANCE ONLY