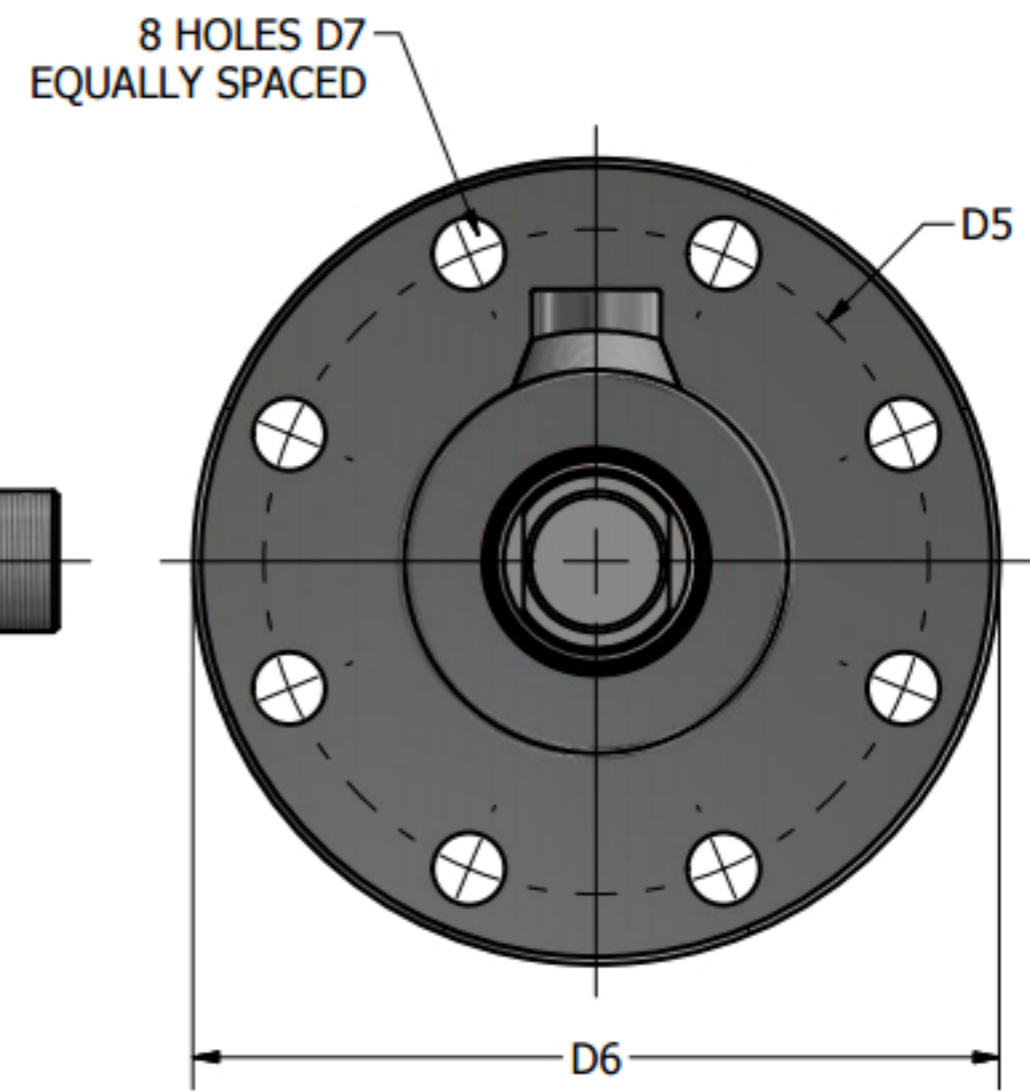
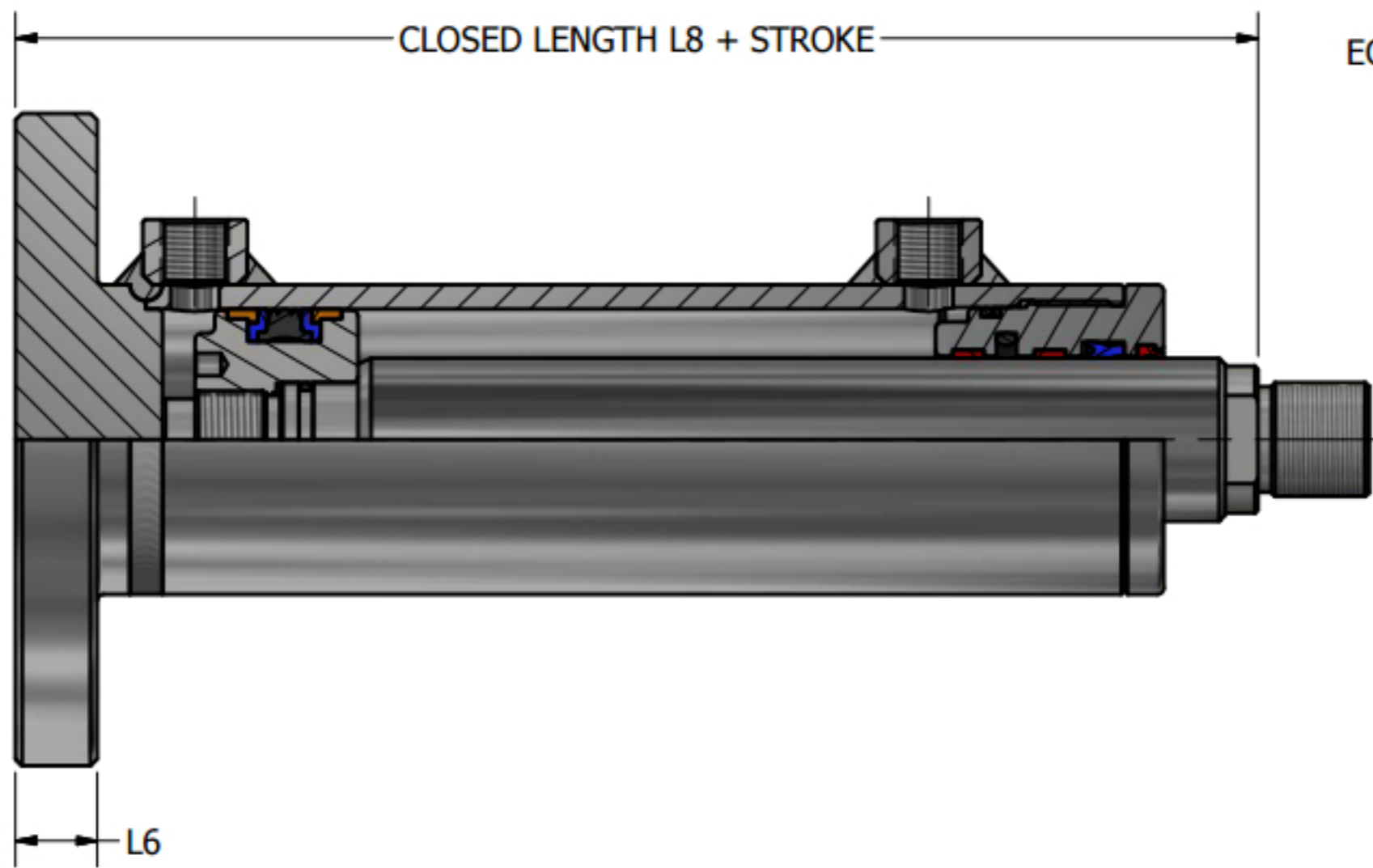


REAR FLANGED HYDRAULIC CYLINDER BASIC DIMENSIONS

	D5	D6	D7	L6	L8
40/20 40/25	Ø 120	Ø 140	Ø 11	21	134
50/25 50/32	Ø 125	Ø 145	Ø 11	21	141
63/32 63/40	Ø 145	Ø 170	Ø 14	25	160
80/40 80/50	Ø 165	Ø 200	Ø 18	26	180
100/50 100/65	Ø 200	Ø 240	Ø 22	29	201
125/65 125/80	Ø 235	Ø 270	Ø 22	32	233
160/80 160/100	Ø 280	Ø 320	Ø 22	39	287
200/100 200/125	Ø 340	Ø 385	Ø 26	48	319



PLEASE NOTE: ALL O.E.M NAMES OR NUMBERS ARE USED FOR REFERANCE ONLY